

Filtro Cell MHT - Mini pleat high tempertaure filters

FILTRO CELL MHT filters are designed as a fine filter for drying plants operating at high temperatures. The filter operates up to 385°C, with lesser pressure drop and longer service life. Maximum recommended pressure drop is 250 Pa.

Filtrowin Models

Filtro Cell MHT

Filtro Cell MHT – Minipleat box type filters for high temperature application available from F6 to H13 grade.



Media Features & Technical Details

Filter Media:

FILTRO CELL MHT filters are manufactured from continuous length superior quality single micro glass fiber paper media available from F6 up to H14 efficiency grades. The fiberglass media used in this filter is free from binders, moisture resistant and fire retardant. The uniform and closed pleat filter pack grants a high crossing surface to hold the very fine dusts.

Filter Frames:

The Mini-Pleat filters construction shall have extruded anodized aluminium profiles. These filters will have expanded wire grid support on both sides. High Temperature versions are made with SS frames as well.

Sealant & Gaskets:

The pleated media pack is encapsulated into the filter frame using glass pack sealant which can withstand up to 385 Degree Celsius.

Media Seperators:

FILTRO CELL MHT filters consist of closely pleated media, positively spaced using glass fiber separators. This type of pleat separation allows optimum media utilization and offers very low pressure drops.

Filter Testing:

The finished filters undergoes a thorough quality checking .They are scan tested individually to ensure a leak proof performance and each filter posses the label showing the scan test result on it. Testing of filters can be done according to the customer's request.

Selection Data:

| Filter Class | Filter Size (mm) | Filter Area | Air Volume | Pressure Drop |
|--------------|------------------|-------------|------------|---------------|
| EN 779:1822 | A x B x C | M2 | M3/H | Pa |
| F6 | 480 x 480 x 22 | 2.2 | 830 | 40 |
| F6 | 915 x 457 x 22 | 4.0 | 1510 | 40 |
| F6 | 915 x 305 x 40 | 2.5 | 1000 | 35 |
| F6 | 915 x 610 x 40 | 5.0 | 2010 | 35 |
| F6 | 595 x 595 x 40 | 3.1 | 1270 | 35 |
| F6 | 480 x 480 x 40 | 2.0 | 830 | 35 |
| F6 | 305 x 610 x 55 | 2.8 | 870 | 35 |
| F6 | 610 x 610 x 55 | 5.8 | 1740 | 35 |

All data are average indicative values with usual manufacturing and testing tolerances. We reserve the right to modify performance data without prior notices due to the constant technical improvement.

© Copyright: Every effort has been made to ensure that the information contained in this publication is accurate at the time of publishing. We assumes no responsibility or liability for typographical errors or omissions or for any misinterpretation of the information within the publication and reserves the right to change without notice.



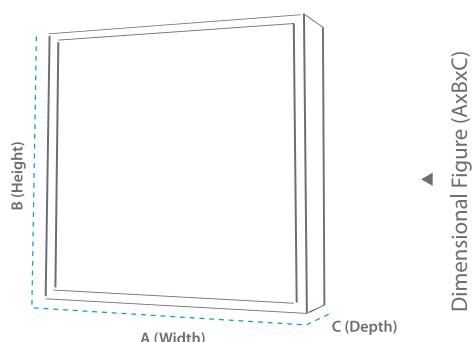
Filtro Cell MHT - High Temperature Oven Filters

2

Selection Data:

| Filter Class | Filter Size (mm) | Filter Area | Air Volume | Pressure Drop |
|--------------|------------------|-------------|------------|---------------|
| EN 779:1822 | A x B x C | M2 | M3/H | Pa |
| F6 | 480 x 480 x 55 | 3.5 | 1080 | 35 |
| F6 | 915 x 457 x 55 | 6.5 | 1960 | 35 |
| F6 | 305 x 610 x 78 | 4.1 | 1080 | 30 |
| F6 | 610 x 610 x 78 | 3.2 | 870 | 30 |
| F6 | 480 x 480 x 78 | 6.6 | 1740 | 30 |
| F6 | 915 x 457 x 78 | 7.4 | 1960 | 30 |
| F6 | 915 x 610 x 78 | 10.0 | 2610 | 30 |
| F8 | 915 x 305 x 40 | 2.5 | 1000 | 135 |
| F8 | 915 x 610 x 40 | 5.0 | 2010 | 135 |
| F8 | 595 x 595 x 40 | 3.1 | 1270 | 135 |
| F8 | 480 x 480 x 40 | 2.0 | 830 | 135 |
| F8 | 305 x 610 x 55 | 2.8 | 870 | 110 |
| F8 | 610 x 610 x 55 | 5.8 | 1740 | 110 |
| F8 | 480 x 480 x 55 | 3.5 | 1080 | 110 |
| F8 | 915 x 457 x 55 | 6.5 | 1960 | 110 |
| F8 | 305 x 610 x 78 | 4.1 | 1080 | 90 |
| F8 | 610 x 610 x 78 | 3.2 | 870 | 90 |
| F8 | 480 x 480 x 78 | 6.6 | 1740 | 90 |
| F8 | 915 x 457 x 78 | 7.4 | 1960 | 90 |
| F8 | 915 x 610 x 78 | 10.0 | 2610 | 90 |
| H13 | 305 x 610 x 78 | 5.6 | 600 | 250 |
| H13 | 610 x 610 x 78 | 11.8 | 1200 | 250 |
| H13 | 762 x 610 x 78 | 14.9 | 1500 | 250 |
| H13 | 915 x 610 x 78 | 18.0 | 1800 | 250 |

● Max. Working temperature 385°C ● Max. R.Humidity 100% ● Final Resistance (Pa) 350



Equivalent conversion to U.S Units:

- Distance - 25.4mm = 1.0 Inch
- Airflow - 1.7 CMH = 1 CFM
- Media Area - .09 M2 = 1 f2
- Pressure drop - 249 Pa = 1.0 In. wG
- Air Velocity - .005 m/sec = 1 FPM

All data are average indicative values with usual manufacturing and testing tolerances. We reserve the right to modify performance data without prior notices due to the constant technical improvement.

© Copyright: Every effort has been made to ensure that the information contained in this publication is accurate at the time of publishing. We assumes no responsibility or liability for typographical errors or omissions or for any misinterpretation of the information within the publication and reserves the right to change without notice.

