

Filtro HEPA RTM - Replaceable Terminal Modules

Filtrowin offers minipleat laminar flow HEPA Filters using Gel Seal. These are mainly used in pharmaceutical, semi-conductor, micro electronics, surgery rooms in hospitals and bio medical industry. This design is a perfect choice for uni directional and non directional flows. Total unit comes with a tested, leak proof mode so as to ensure on site installation at ease.

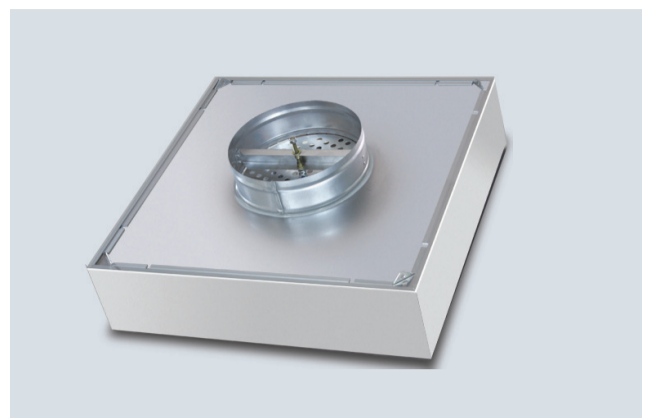
Filtrowin Models

Filtro HEPA RTM3

Using 81mm deep filter profiles
Available in H13, H14 and U15 grades

Filtro HEPA RTM4

Using 115mm deep filter profiles
Available in H13, H14 and U15 grades



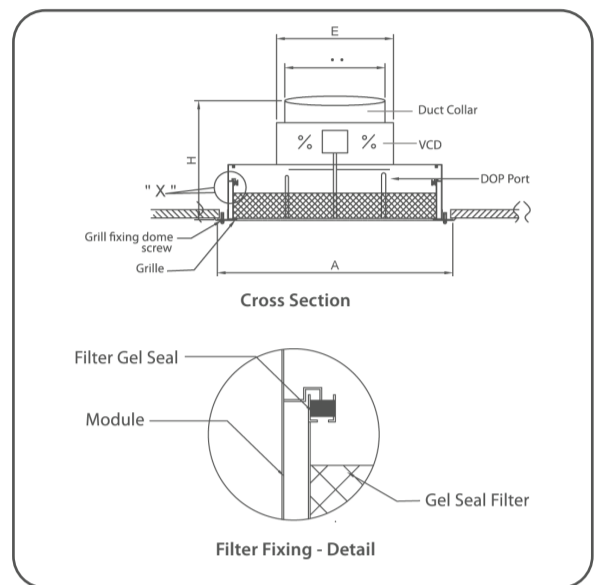
MEDIA FEATURES AND TECHNICAL DETAILS

HEPA RTM3 and RTM4 utilizes high quality Micro fine Glass Fiber packs encased in an aluminium profile section. This filter panel is fixed on low profile aluminium sections. The total units have got a distribution plate inside the section. It is arranged in such a way that it is adjustable with a screw driver from the room side itself. RTM models also comes with a built-in spigot of 250mm or 300mm dia for connecting flexible ducts. It also features an air sampling port in the room side. Outer Housing box has got 4 suspension points on the edges for easy hanging.

These units are perfect replacements for conventional deep pleat aluminium separator HEPA Filters. Low pressure drop, Long service life, Light weight, cost effectiveness, easy installation etc are the highlights. Units are offered in Disposable as well as Replaceable design. ATM3-D and AT M4-D are respective models in disposable style. All features are offered in replaceable type with an option of filter replacement alone, retaining existing housing.

All units are factory tested and is completely leak proof. Filtration efficiency offered are 99.99%(H13) @ 0.3 micron, 99.999%(H14) @ 0.3 micron and 99.9995%(U15) @ 0.12 micron. Generally they are made in standard sizes, but custom designs are possible. Please contact our sales desk for more details.

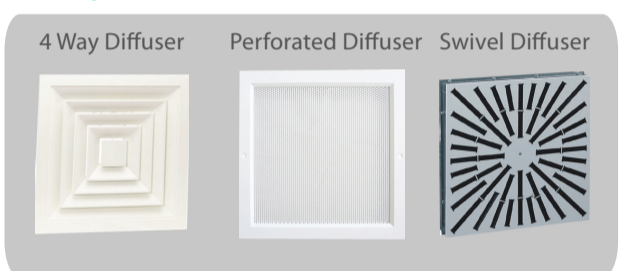
DRAWING DETAIL



Salient Features



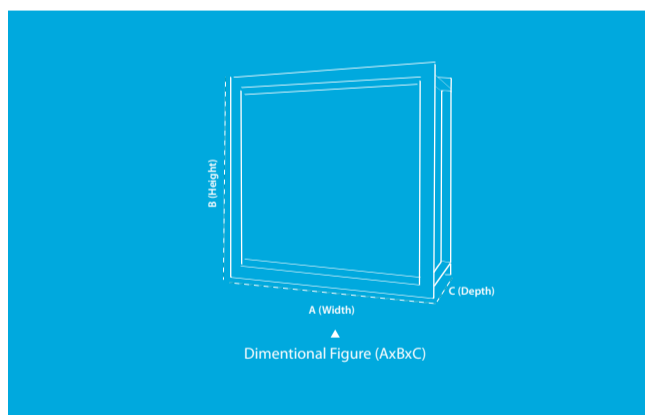
Grill Options



All data are average indicative values with usual manufacturing and testing tolerances. We reserve the right to modify performance data without prior notices due to the constant technical improvement.
© Copyright: Every effort has been made to ensure that the information contained in this publication is accurate at the time of publishing. We assume no responsibility or liability for typographical errors or omissions or for any misinterpretation of the information within the publication and reserves the right to change without notice.



Filtro HEPA RTM - Filter Selection



HEPA RTM3 and RTM4 includes a wide range of filter selections depending on the applications. Some of the most common sizes and its specifications are listed below.

Gel Seal Filter Range

99.99% (H13)

Filter Size (mm)	CMH* / Pa
Size: 580 x 580 x 81	615 / 125
Size: 580 x 732 x 81	775 / 125
Size: 580 x 1190 x 81	1260 / 125
Size: 580 x 580 x 115	615 / 95
Size: 580 x 732 x 115	775 / 95
Size: 580 x 1190 x 115	1260 / 95

*Airflow @ 0.508 m/s

99.999% (H14)

Filter Size (mm)	CMH* / Pa
Size: 580 x 580 x 81	525 / 125
Size: 580 x 732 x 81	660 / 125
Size: 580 x 1190 x 81	1070 / 125
Size: 580 x 580 x 115	525 / 95
Size: 580 x 732 x 115	660 / 95
Size: 580 x 1190 x 115	1070 / 95

*Airflow @ 0.43 m/s

99.9995% (U15)

Filter Size (mm)	CMH* / Pa
Size: 580 x 580 x 81	430 / 125
Size: 580 x 732 x 81	545 / 125
Size: 580 x 1190 x 81	885 / 125
Size: 580 x 580 x 115	430 / 95
Size: 580 x 732 x 115	545 / 95
Size: 580 x 1190 x 115	885 / 95

*Airflow @ 0.35 m/s

Note : Always select a filter by reducing 30mm from face area of the RTM module size given in the below chart.

Selection Chart - DTM Modules

Model Number	Module Type	Frame	Housing overall Dimensions (mm)		
			Face Size (A x B)	Depth (C)	Collar
FRTM3-R-44	Replaceable	Aluminium Section with Collar	610 x 610	150	195
FRTM3-R-46	Replaceable	Aluminium Section with Collar	610 x 762	150	195
FRTM3-R-48	Replaceable	Aluminium Section with Collar	610 x 1220	150	195
FRTM4-R-44	Replaceable	Aluminium Section with Collar	610 x 610	165	195
FRTM4-R-46	Replaceable	Aluminium Section with Collar	610 x 762	165	195
FRTM4-R-48	Replaceable	Aluminium Section with Collar	610 x 1220	165	195
FTM3D-44	Disposable	Aluminium Section with Collar	610 x 610	150	195
FTM3D-46	Disposable	Aluminium Section with Collar	610 x 762	150	195
FTM3D-48	Disposable	Aluminium Section with Collar	610 x 1220	150	195
FTM4D-44	Disposable	Aluminium Section with Collar	610 x 610	165	195
FTM4D-46	Disposable	Aluminium Section with Collar	610 x 762	165	195
FTM4D-48	Disposable	Aluminium Section with Collar	610 x 1220	165	195

● Final Pressure Drop - 500 Pa ● Maximum Operating Temperature / Humidity - 80 ° C / 100% ● Face Grilles optional

All data are average indicative values with usual manufacturing and testing tolerances. We reserve the right to modify performance data without prior notices due to the constant technical improvement.
© Copyright: Every effort has been made to ensure that the information contained in this publication is accurate at the time of publishing. We assume no responsibility or liability for typographical errors or omissions or for any misinterpretation of the information within the publication and reserves the right to change without notice.

